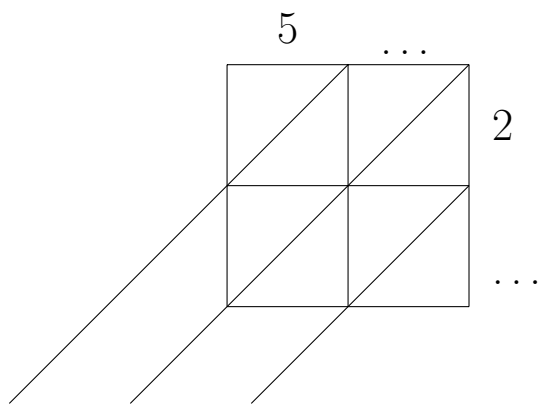


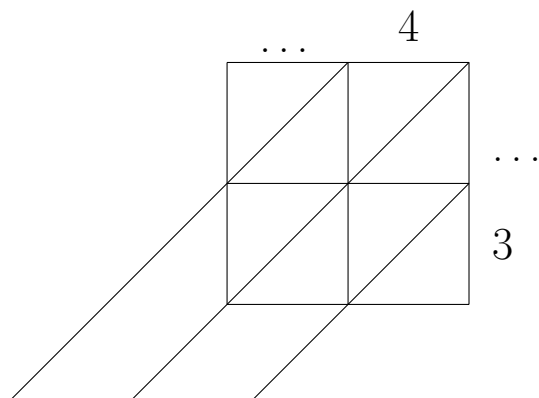
1. Use the Gelosia grid to work out 53×26



$53 \times 26 = \dots\dots\dots$

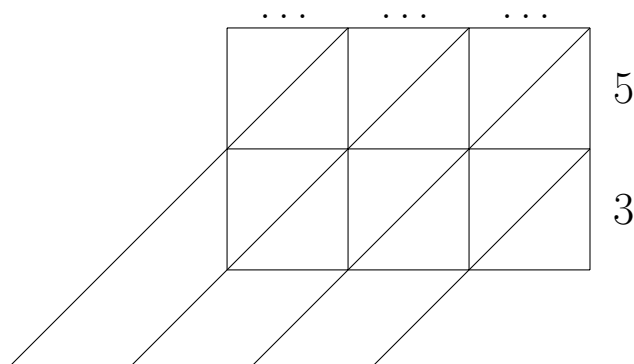
×	02	03	04	05	06	07	08	09
02								
03		09	12		18	21	24	
04		12	16		24	28	32	
05								
06		18	24		36	42	48	
07		21	28		42	49	56	
08		24	32		48	56	64	
09								

2. Use the Gelosia grid to work out 74×13



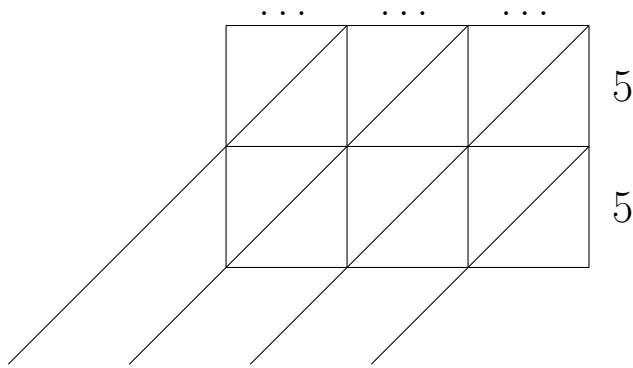
$74 \times 13 = \dots\dots\dots$

3. Use the Gelosia grid to work out 754×53



$754 \times 53 = \dots\dots\dots$

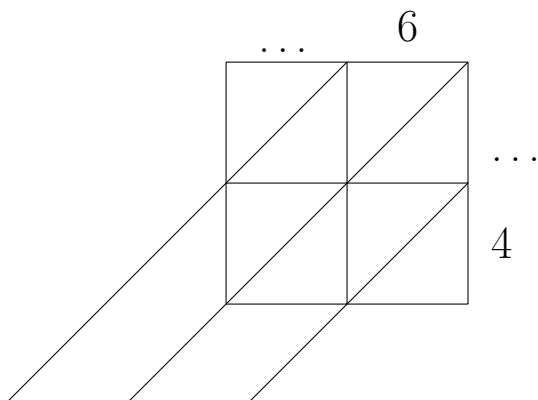
4. Use the Gelosia grid to work out 812×55



$812 \times 55 = \dots\dots\dots$

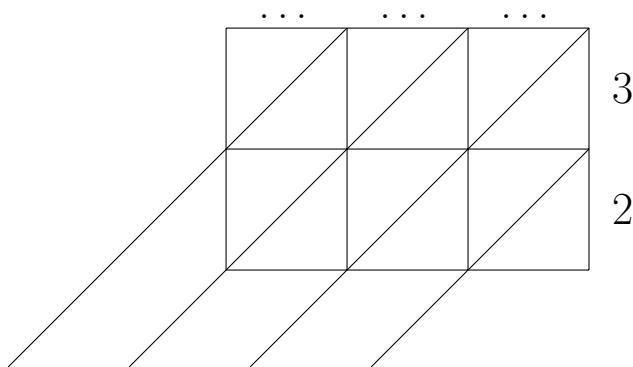
×	02	03	04	05	06	07	08	09
02								
03		09	12		18	21	24	
04		12	16		24	28	32	
05								
06		18	24		36	42	48	
07		21	28		42	49	56	
08		24	32		48	56	64	
09								

5. Use the Gelosia grid to work out 36×24



$36 \times 24 = \dots\dots\dots$

6. Use the Gelosia grid to work out 155×32



$155 \times 32 = \dots\dots\dots$

Answers Q1: 1 378, Q2: 962, Q3: 39 962, Q4: 44 660, Q5: 864 Q6: 4 960