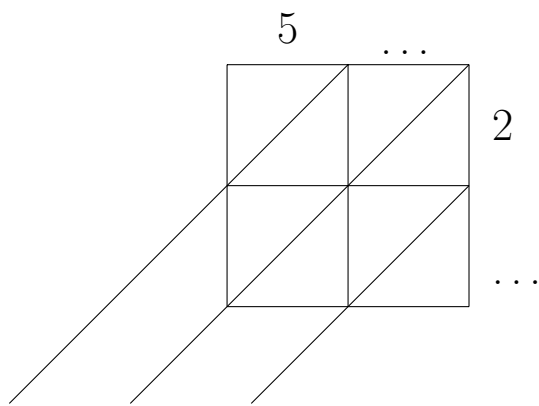


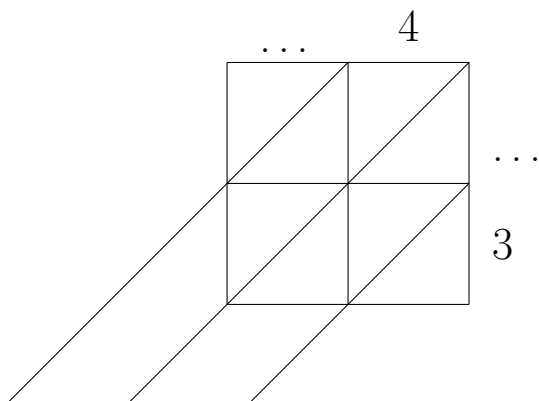
1. Use the Gelosia grid to work out  $53 \times 26$



$53 \times 26 = \dots\dots\dots$

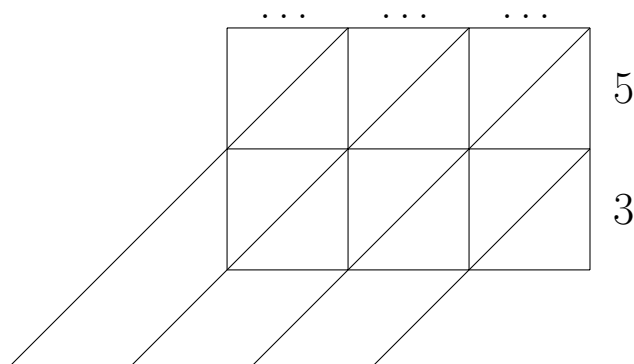
| ×  | 02 | 03 | 04 | 05 | 06 | 07 | 08 | 09 |
|----|----|----|----|----|----|----|----|----|
| 02 |    |    |    |    |    |    |    |    |
| 03 |    | 09 | 12 |    | 18 | 21 | 24 |    |
| 04 |    | 12 | 16 |    | 24 | 28 | 32 |    |
| 05 |    |    |    |    |    |    |    |    |
| 06 |    | 18 | 24 |    | 36 | 42 | 48 |    |
| 07 |    | 21 | 28 |    | 42 | 49 | 56 |    |
| 08 |    | 24 | 32 |    | 48 | 56 | 64 |    |
| 09 |    |    |    |    |    |    |    |    |

2. Use the Gelosia grid to work out  $74 \times 13$



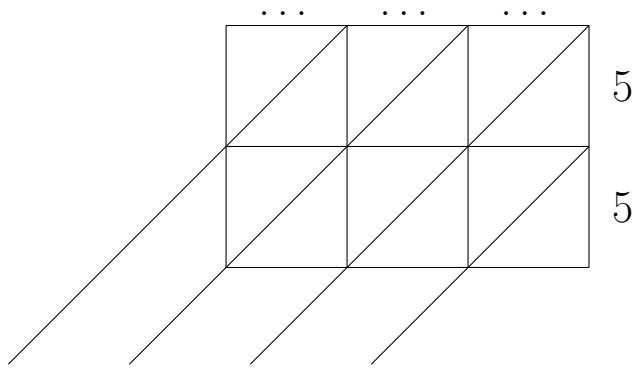
$74 \times 13 = \dots\dots\dots$

3. Use the Gelosia grid to work out  $754 \times 53$



$754 \times 53 = \dots\dots\dots$

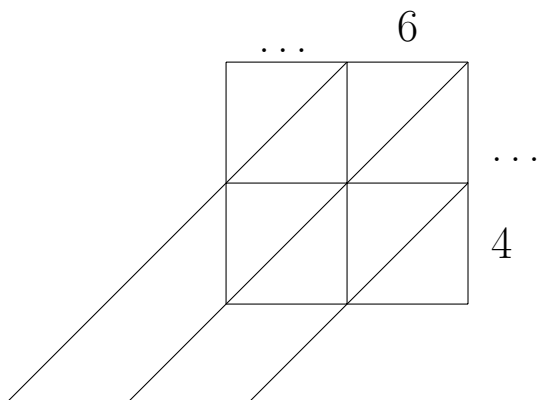
4. Use the Gelosia grid to work out  $812 \times 55$



$812 \times 55 = \dots\dots\dots$

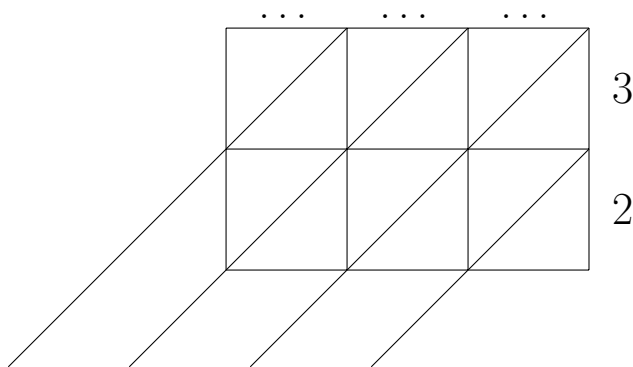
| ×  | 02 | 03 | 04 | 05 | 06 | 07 | 08 | 09 |
|----|----|----|----|----|----|----|----|----|
| 02 |    |    |    |    |    |    |    |    |
| 03 |    | 09 | 12 |    | 18 | 21 | 24 |    |
| 04 |    | 12 | 16 |    | 24 | 28 | 32 |    |
| 05 |    |    |    |    |    |    |    |    |
| 06 |    | 18 | 24 |    | 36 | 42 | 48 |    |
| 07 |    | 21 | 28 |    | 42 | 49 | 56 |    |
| 08 |    | 24 | 32 |    | 48 | 56 | 64 |    |
| 09 |    |    |    |    |    |    |    |    |

5. Use the Gelosia grid to work out  $36 \times 24$



$36 \times 24 = \dots\dots\dots$

6. Use the Gelosia grid to work out  $155 \times 32$



$155 \times 32 = \dots\dots\dots$

Answers Q1: 1 378, Q2: 962, Q3: 39 962, Q4: 44 660, Q5: 864 Q6: 4 960