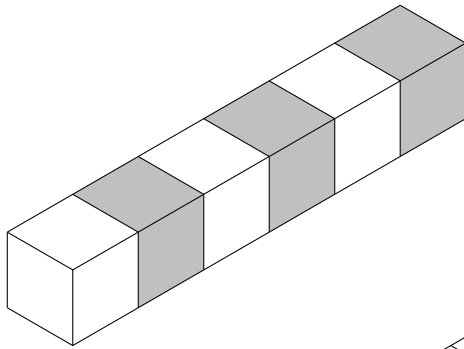
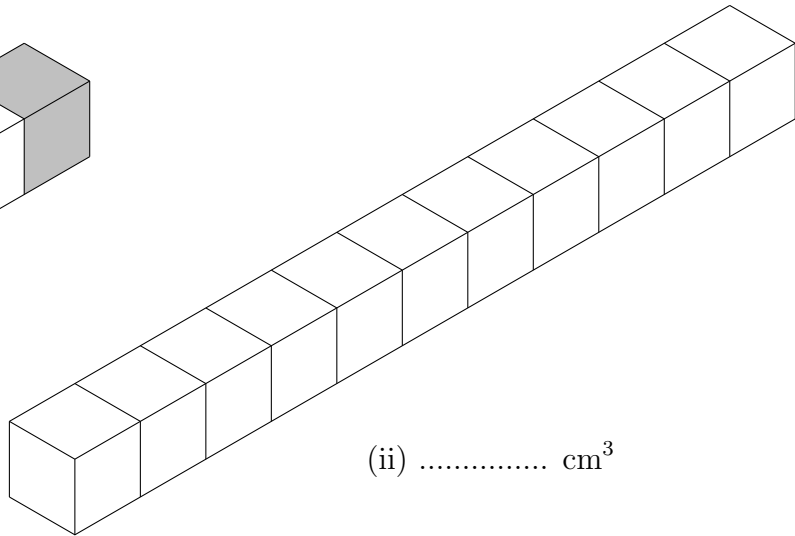


1. These cuboids are made from centimetre cubes.

Write down the volume of each cuboid.



(i) .....  $\text{cm}^3$



(ii) .....  $\text{cm}^3$

**(i) 6 (ii) 11**

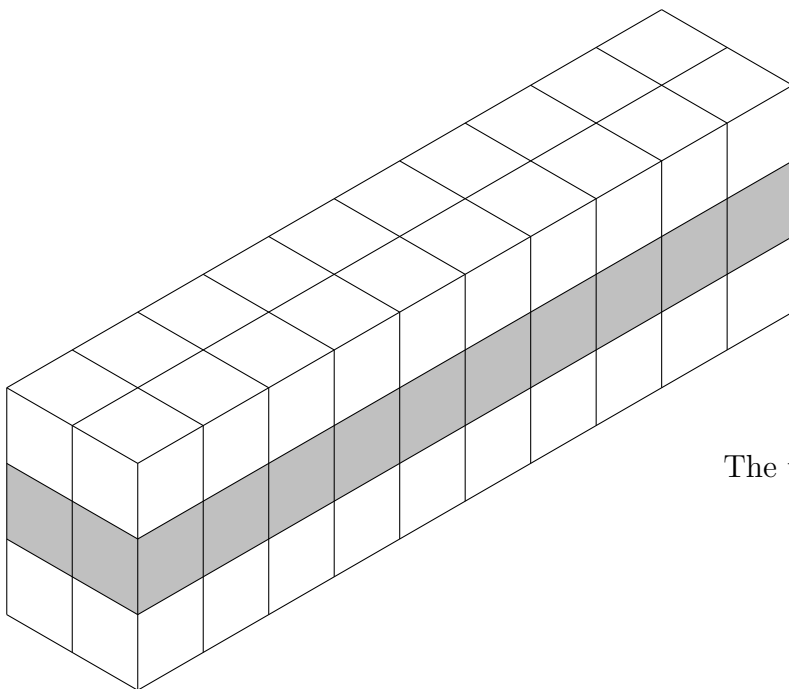
2.

2. **not written yet**

3.

3. **not written yet**

4. This cuboid is made from centimetre cubes.



← The number of cubes on the top layer = .....

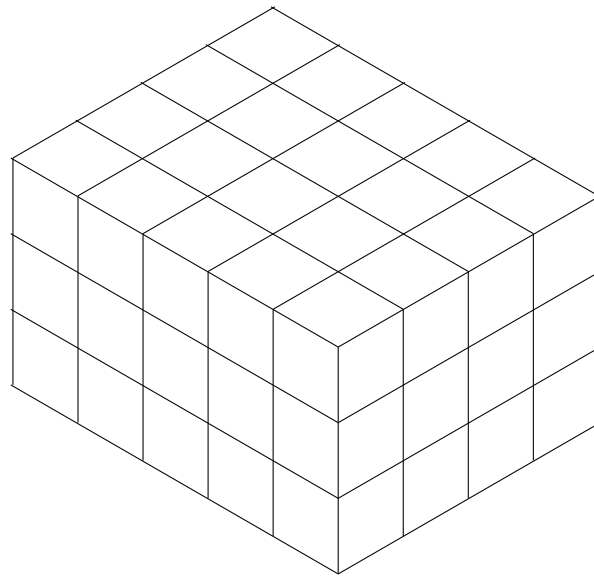
← The number of layers = .....

The volume of the cuboid = .....  $\text{cm}^3$

**20, 3, 60**

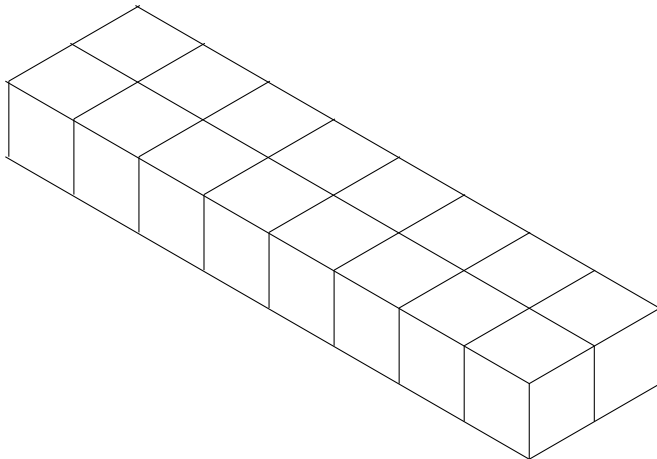
5. This cuboid is made from centimetre cubes.

Find the volume of the cuboid. {No calculator}

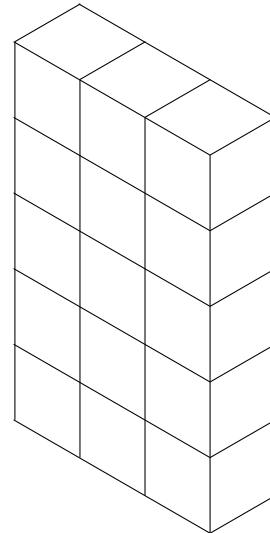


6. This solid shape is made from centimetre cubes. {Cuboids 1 dimension = 1 cm}  
 Find the volume of the solid shape. {No calculator}

(a)



(b)

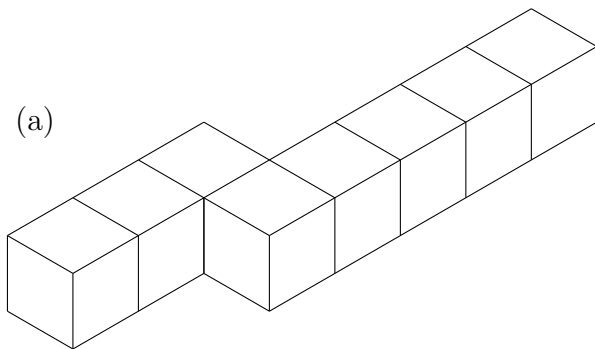


{most are large, so hard to count e.g. 9 x 6}

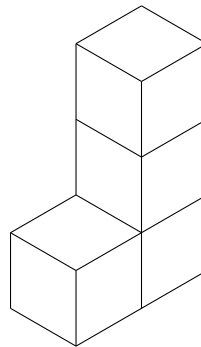
(c) reflection of (b) in vertical axes

7. This solid {or 3-D} shape is made from centimetre cubes.  
 Find the volume of the solid shape.

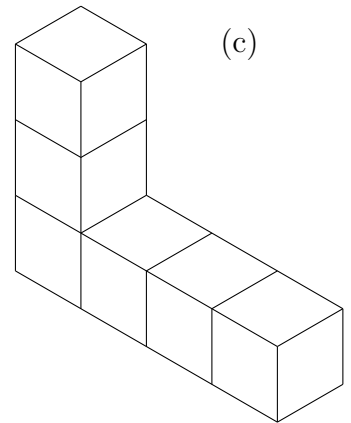
(a)



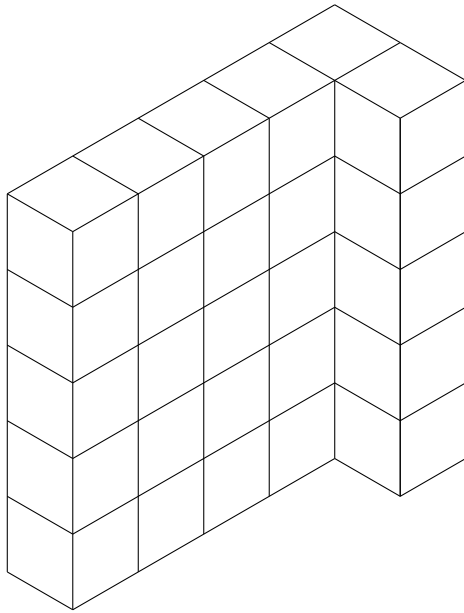
(b)



(c)



8. This prism is made from centimetre cubes.

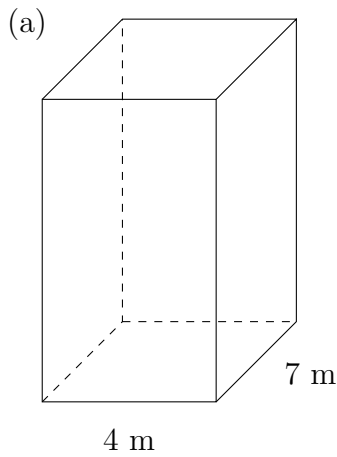


Find the volume of the prism.

.....**30**.....  $cm^3$

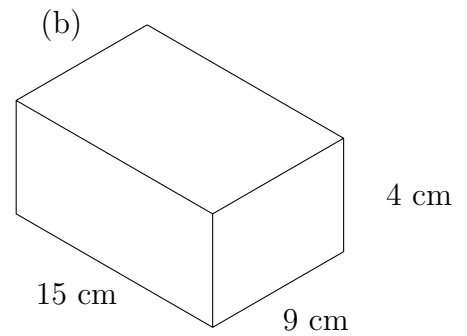
(1 Mark)

9. This diagram shows a cuboid.



10 m

Diagram NOT accurately drawn



15 cm

9 cm

4 cm

Work out the volume of the cuboid. {No calculator}