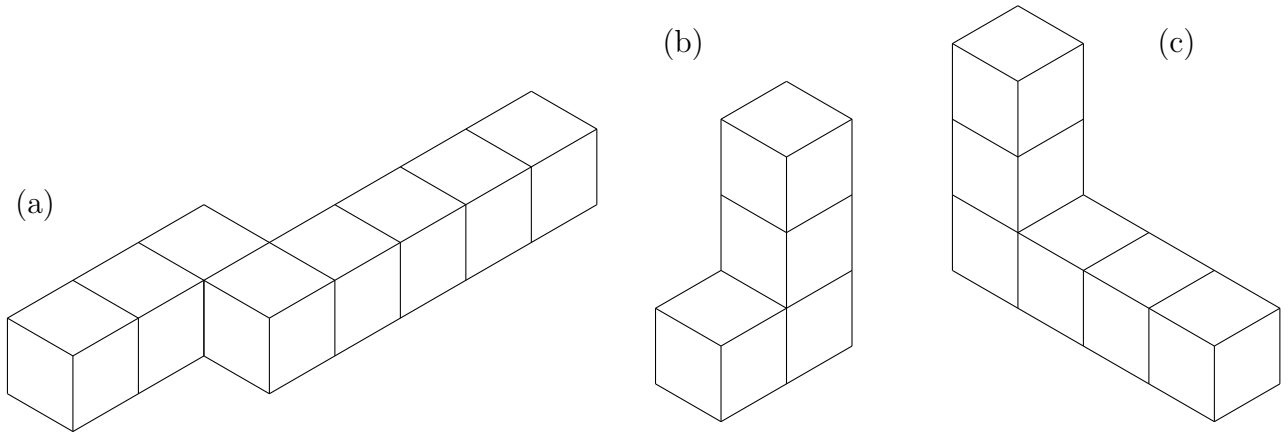
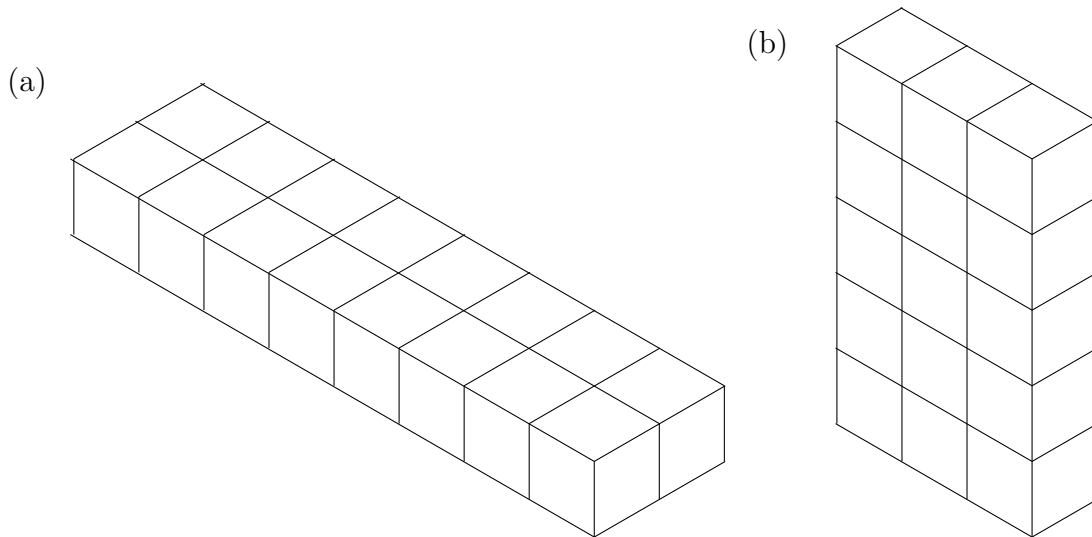


1. This solid {or 3-D} shape is made from centimetre cubes.  
Find the volume of the solid shape.



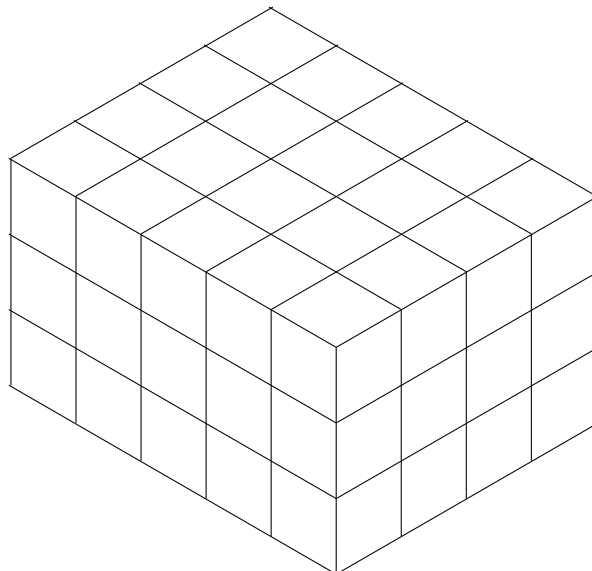
2. This solid shape is made from centimetre cubes. {Cuboids 1 dimension = 1 cm}  
Find the volume of the solid shape. {No calculator}



{most are large, so hard to count e.g. 9 x 6}

(c) reflection of (b) in vertical axes

3. This cuboid is made from centimetre cubes.  
Find the volume of the cuboid. {No calculator}



4. This diagram shows a cuboid.

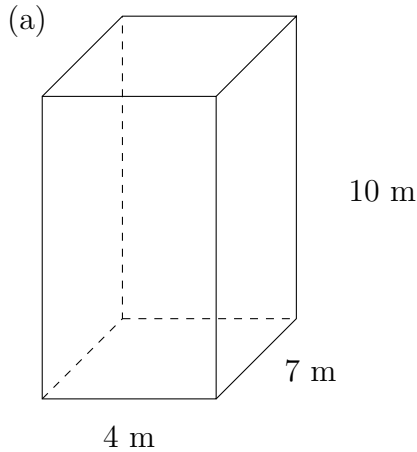
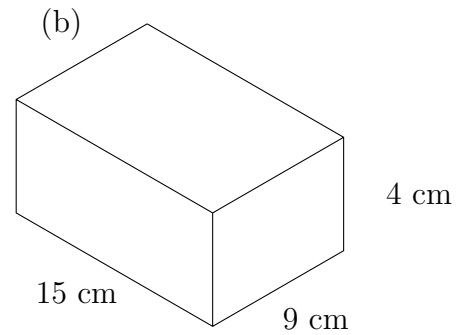


Diagram NOT  
accurately drawn



Work out the volume of the cuboid. {No calculator}

5. This diagram shows a cuboid.

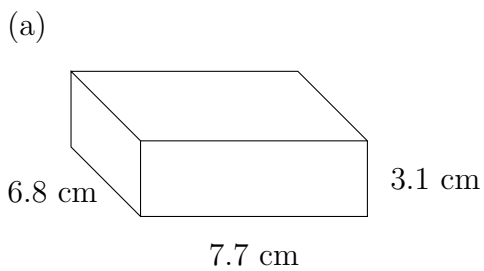
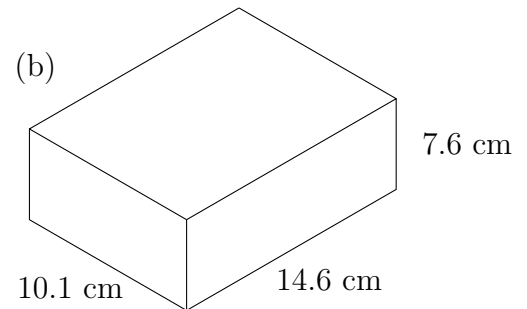


Diagram NOT  
accurately drawn



Work out the volume of the cuboid.

Give your answer correct to 1 decimal place. {or nearest 1000, 100, 10 or  $cm^3$ }