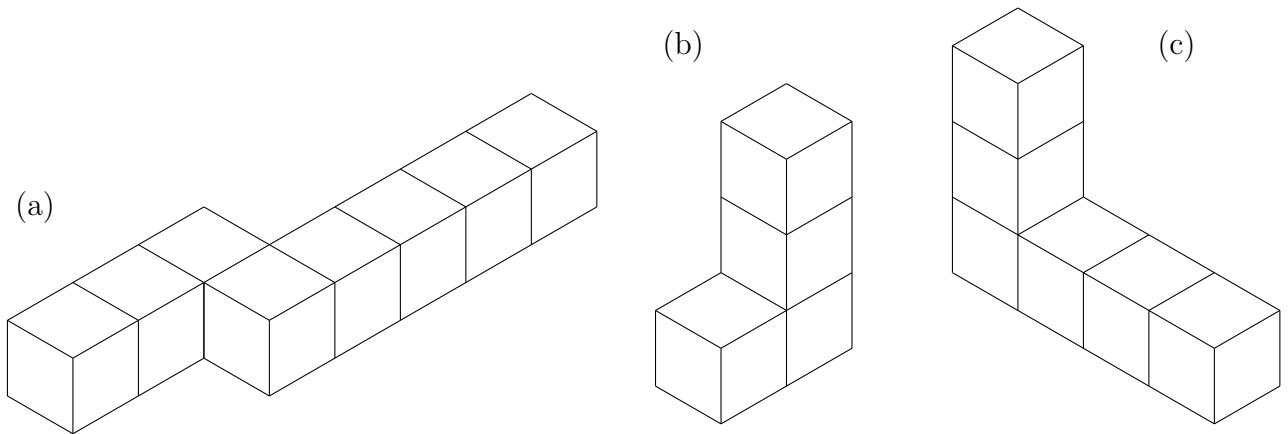
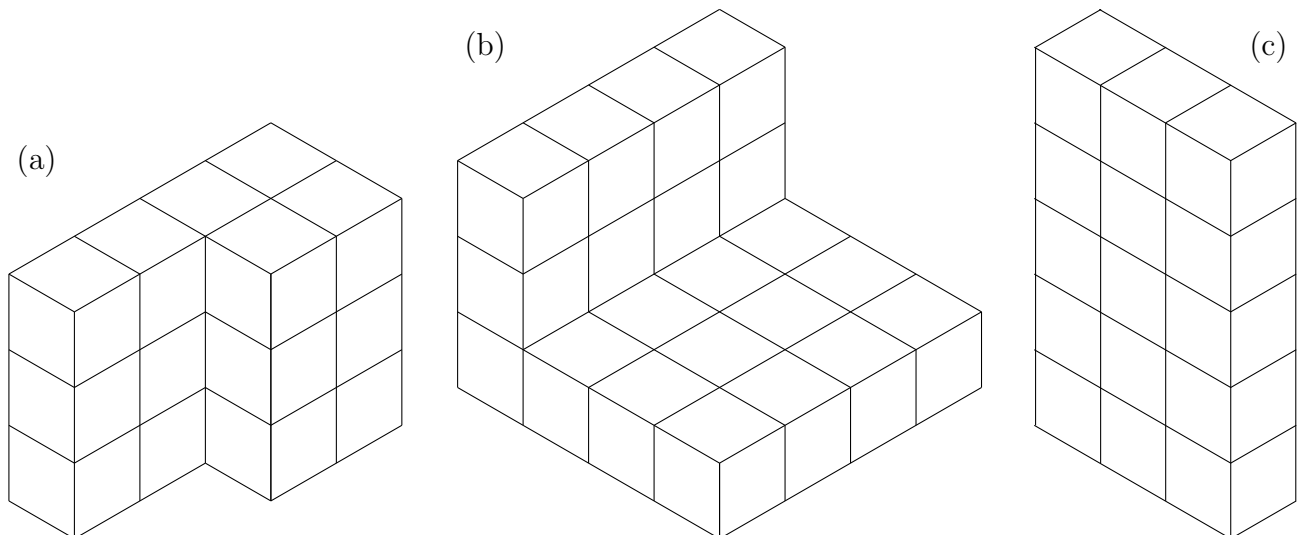


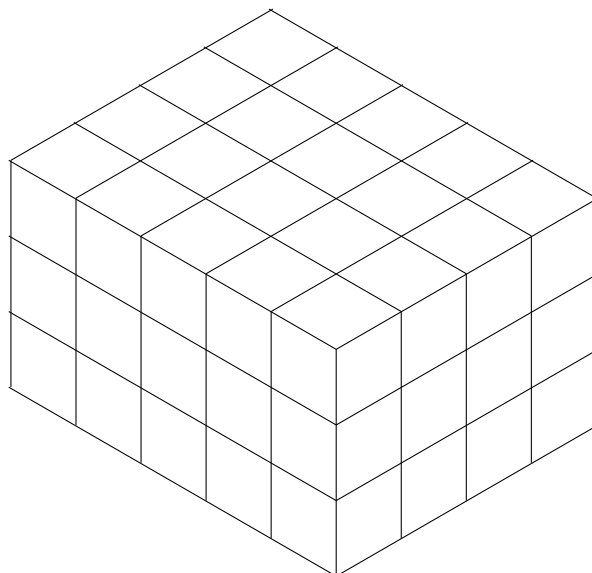
1. This solid {or 3-D} shape is made from centimetre cubes.
Find the volume of the solid shape.



2. This prism is made from centimetre cubes.
Find the volume of the prism.



3. This cuboid is made from centimetre cubes.
Find the volume of the cuboid.



4. This diagram shows a cuboid.

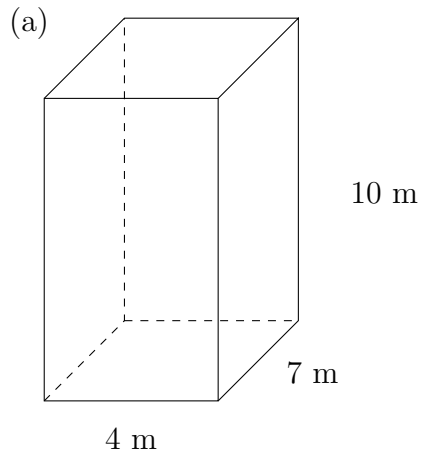
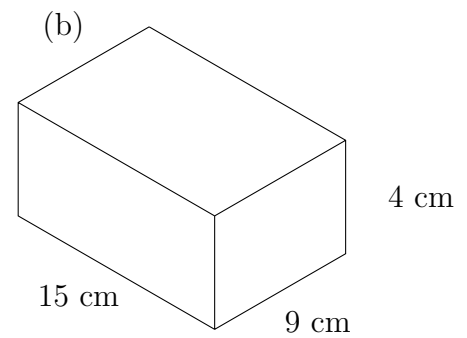


Diagram NOT
accurately drawn



Work out the volume of the cuboid.

5. This diagram shows a cuboid.

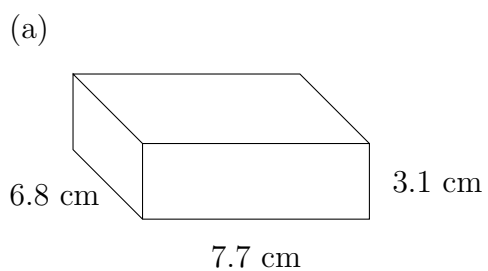
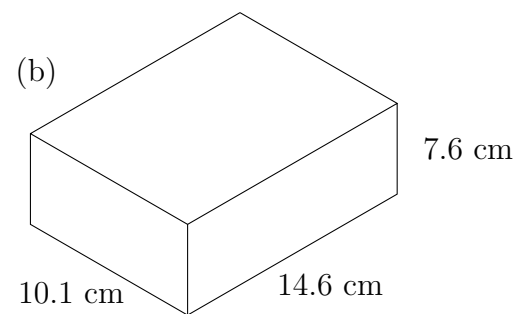


Diagram NOT
accurately drawn



Work out the volume of the cuboid.

Give your answer correct to 1 decimal place. {or nearest 1000, 100, 10 or cm^3 }