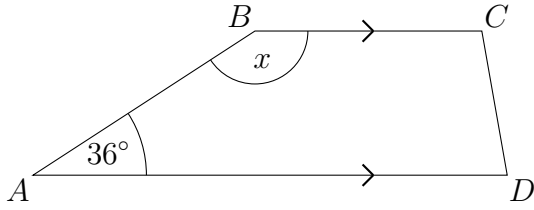
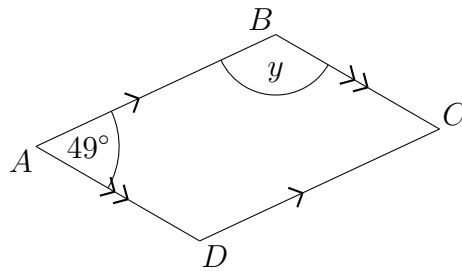


1. (i) Work out the size of the angle marked x °



(ii) Give a reason for your answer
.....

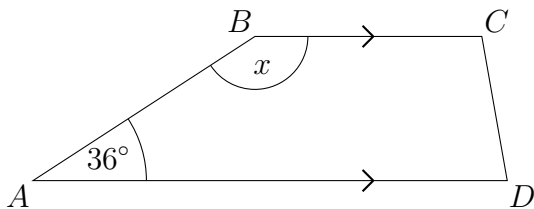
2. (i) Work out the size of the angle marked y °



(ii) Give a reason for your answer
.....

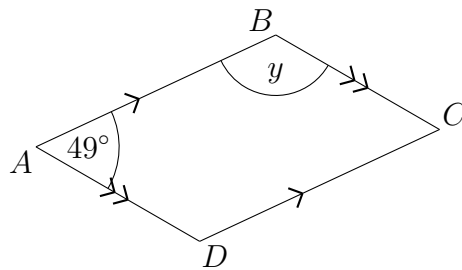
angleP(8) Ans: 1.(i) 144, (ii) co-interior angle total 180 2.(i) 131, (ii) co-interior angle total 180

1. (i) Work out the size of the angle marked x °



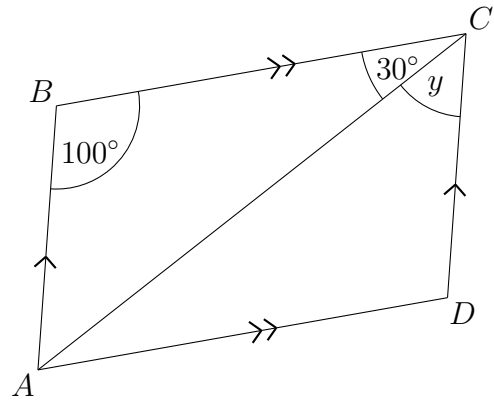
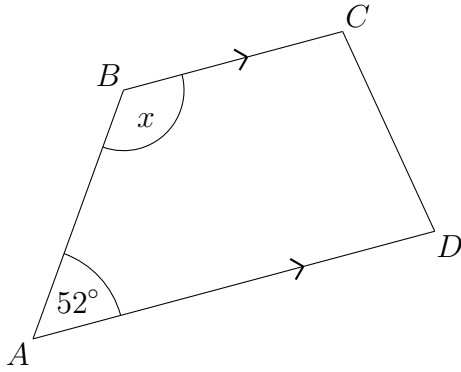
(ii) Give a reason for your answer
.....

2. (i) Work out the size of the angle marked y °



(ii) Give a reason for your answer
.....

3. (a) Write down the size of the angle $x = \dots\dots^\circ$



(b) Give a reason for your answer for $x \dots\dots\dots$

$\dots\dots\dots$

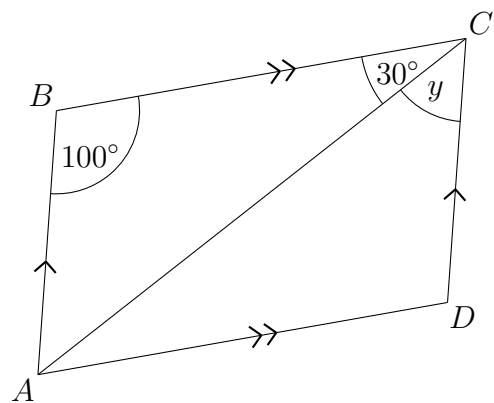
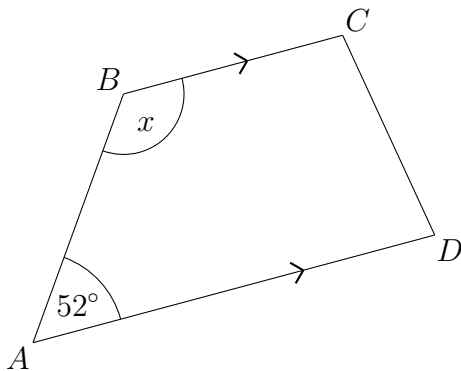
(c) Write down the size of the angle $y = \dots\dots^\circ$

(d) Give a reason for your answer for $y \dots\dots\dots$

$\dots\dots\dots$

angleP(8) A3. (a) 128 (b) co-interior angle total 180° (c) 50 (d) co-interior angles total 180°

3. (a) Write down the size of the angle $x = \dots\dots^\circ$



(b) Give a reason for your answer for $x \dots\dots\dots$

$\dots\dots\dots$

(c) Write down the size of the angle $y = \dots\dots^\circ$

(d) Give a reason for your answer for $y \dots\dots\dots$

$\dots\dots\dots$