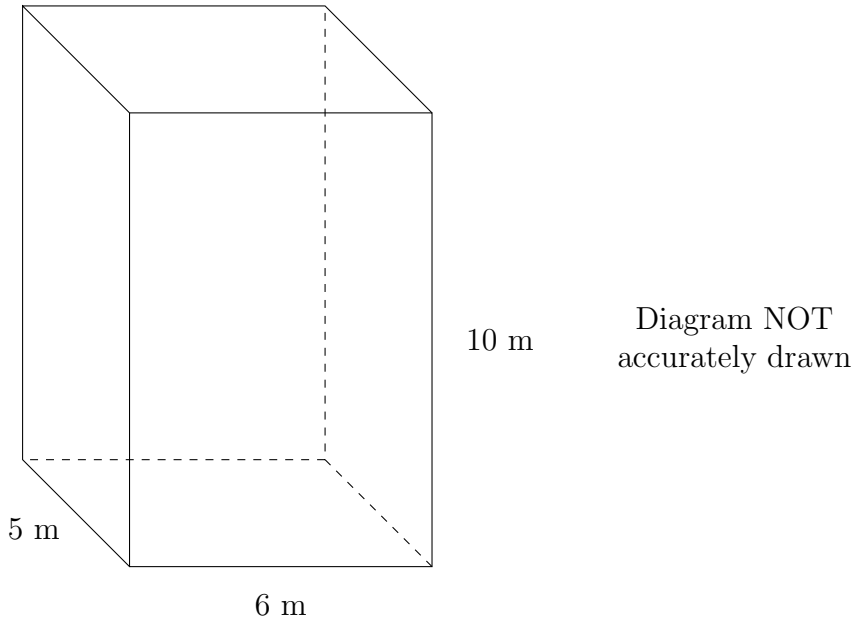


1. This diagram shows a cuboid.



Work out the volume of the cuboid.

..... m^3

2. This diagram shows a cuboid.

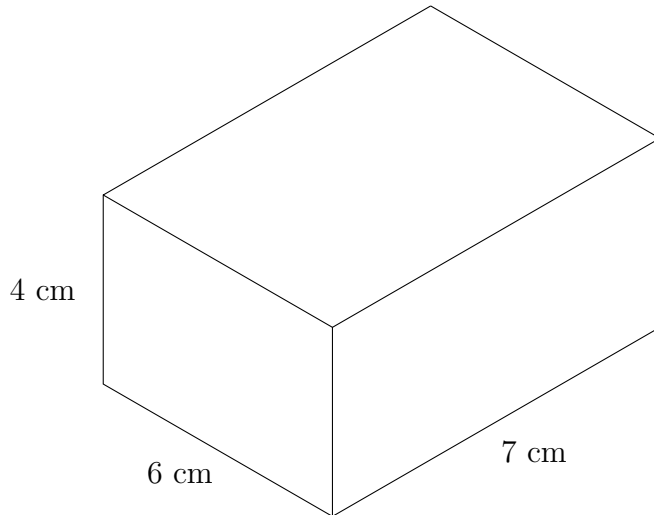


Diagram NOT
accurately drawn

Work out the volume of the cuboid.

..... cm^3

3. This diagram shows a cuboid.

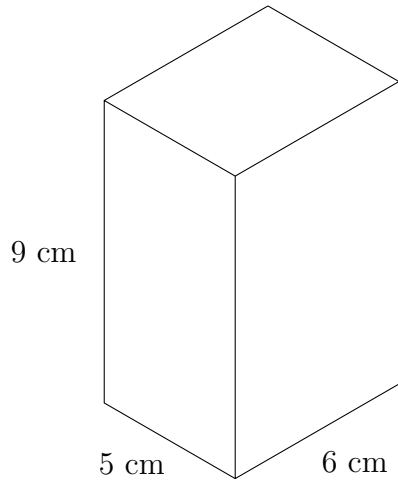


Diagram NOT
accurately drawn

Work out the volume of the cuboid.

..... cm^3

4. This diagram shows a cuboid.

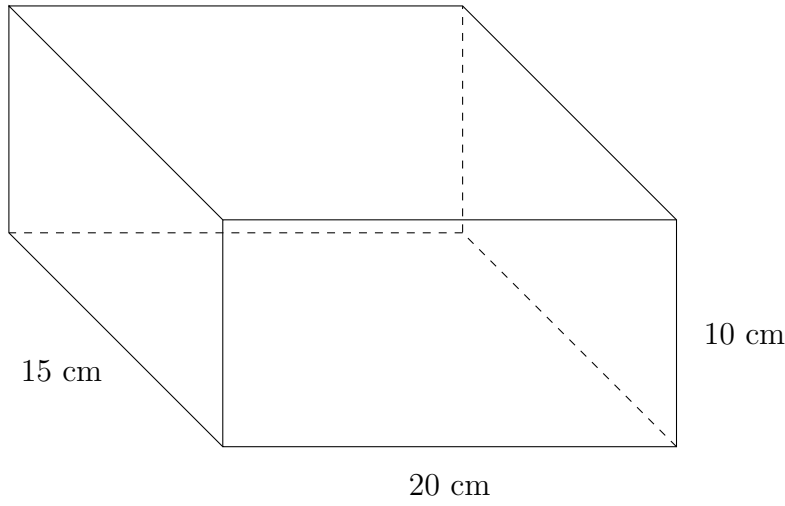


Diagram NOT accurately drawn

Work out the volume of the cuboid.

..... cm^3

Answers

1. 300 m^3
2. 168 cm^3
3. 270 cm^3
4. 3000 cm^3