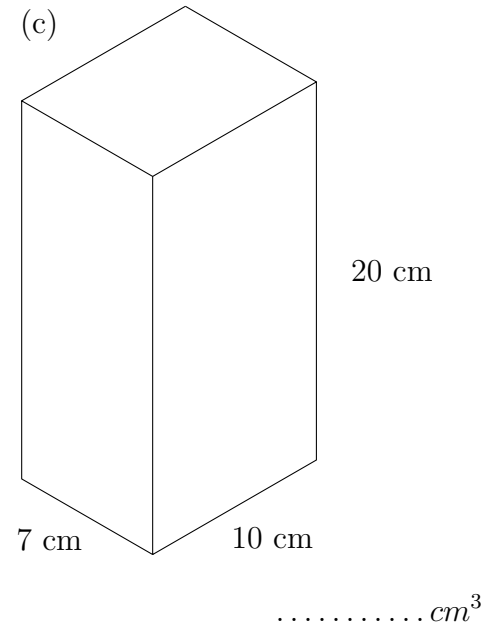
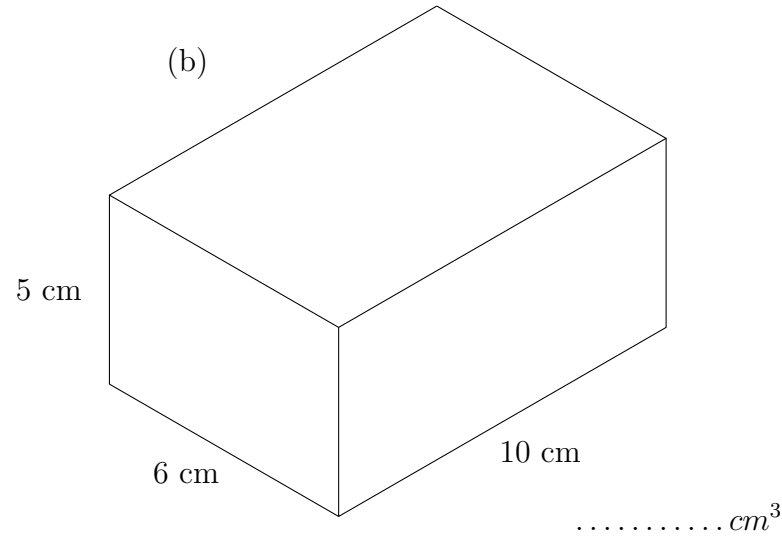
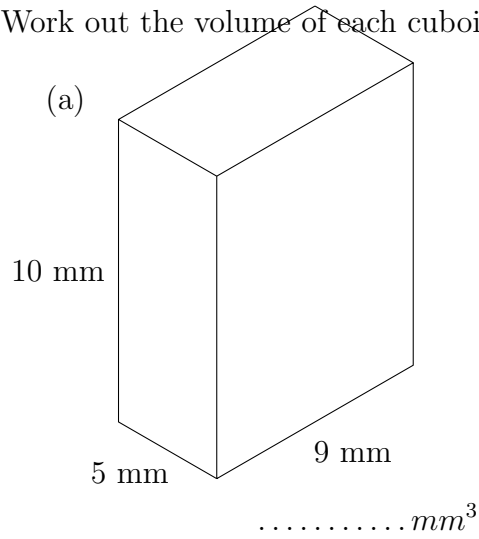


1. Each diagram shows a cuboid.

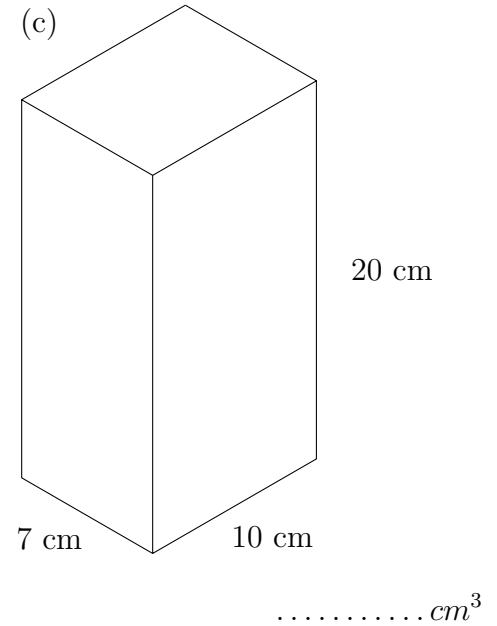
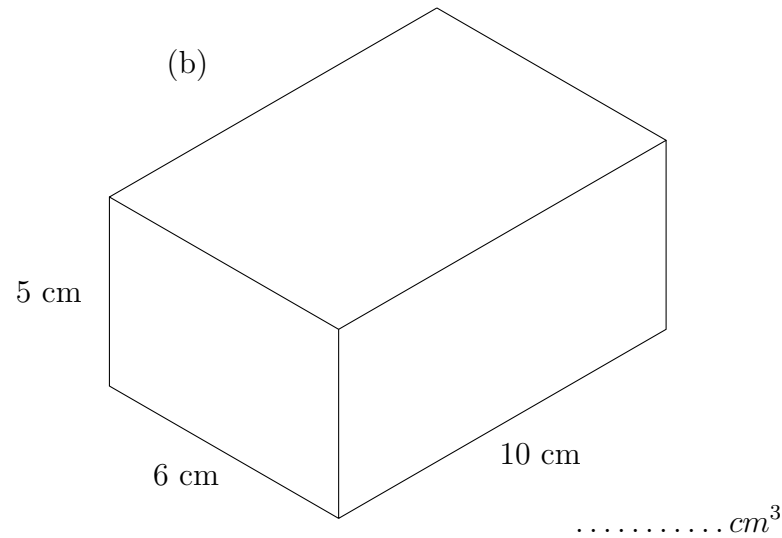
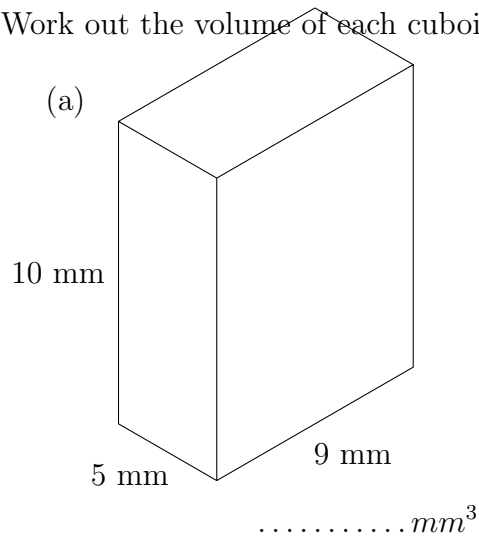
Work out the volume of each cuboid.



Q1 (a) 450, (b) 300, (c) 1400 Q2: (a) 180 (b) 150 (c) 400

1. Each diagram shows a cuboid.

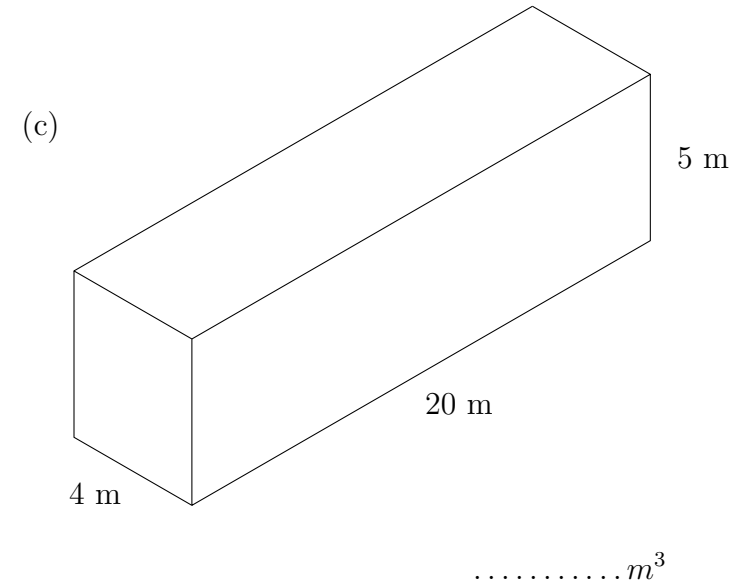
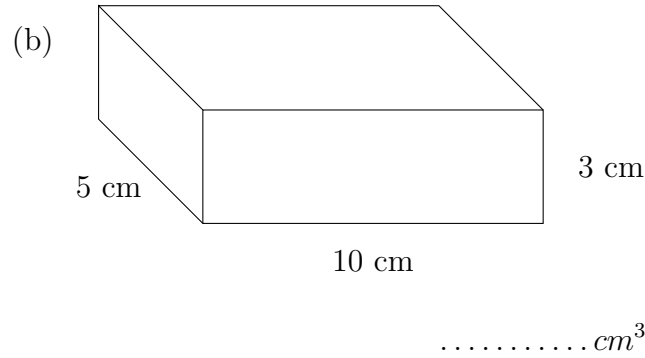
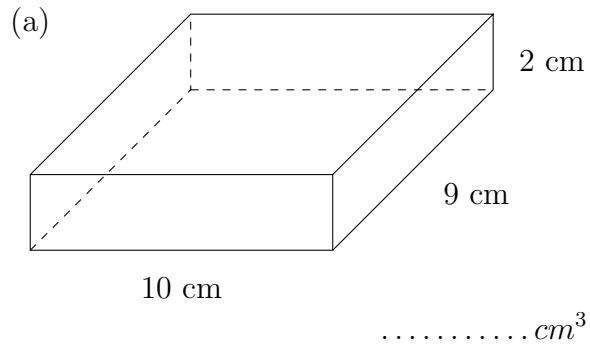
Work out the volume of each cuboid.



Q1 (a) 450, (b) 300, (c) 1400 Q2: (a) 180 (b) 150 (c) 400

2. Each diagram shows a cuboid.

Work out the volume of each cuboid.



2. Each diagram shows a cuboid.

Work out the volume of each cuboid.

