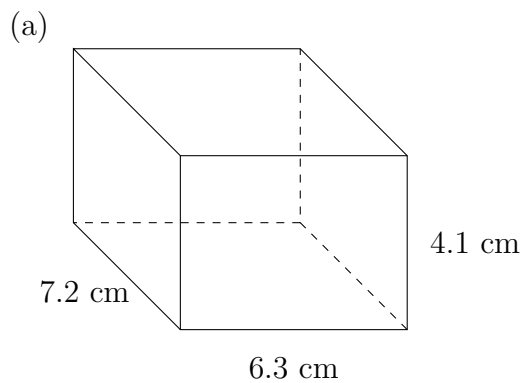
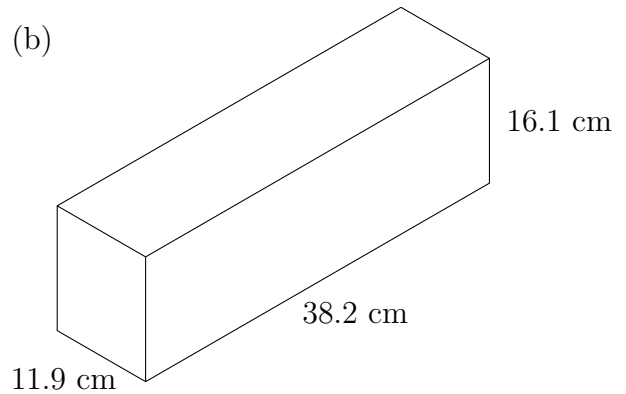


1. Work out the volume of each cuboid.

Give your answer correct to the nearest centimetre cubed.



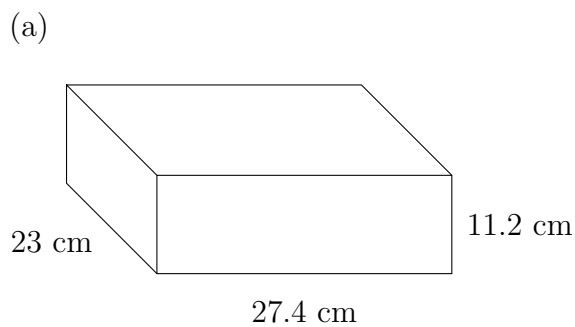
..... cm^3



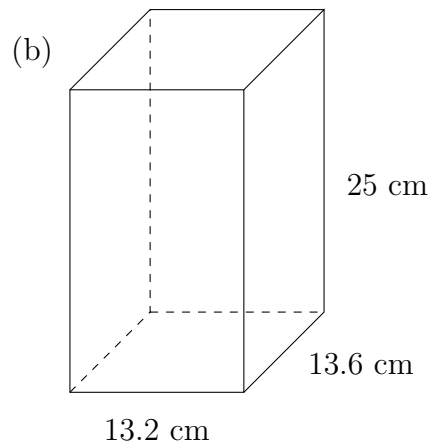
..... cm^3

2. Work out the volume of each cuboid.

Give your answer correct to the nearest 10 cm^3



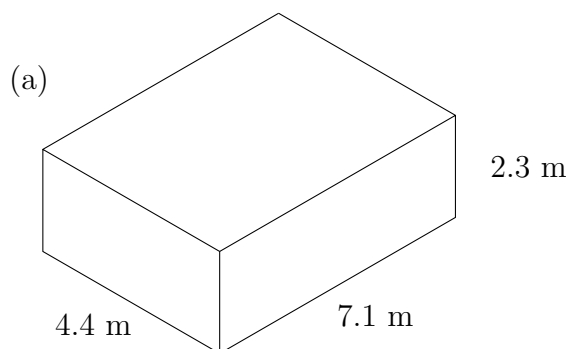
..... cm^3



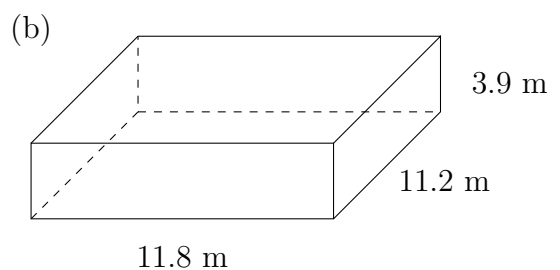
..... cm^3

3. Work out the volume of each cuboid.

Give your answer correct to 1 decimal place.



..... m^3



..... m^3

Answers 1a) 186 b) 7319 2a) 7060 b) 4490 3a) 71.9 b) 515.4