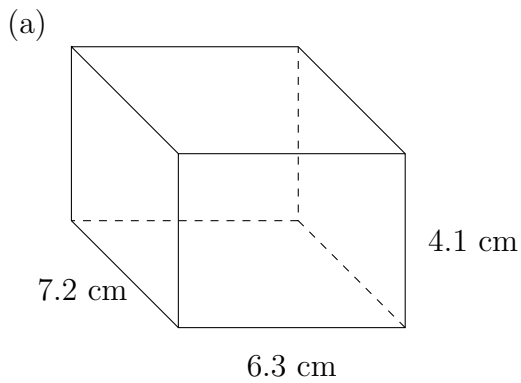
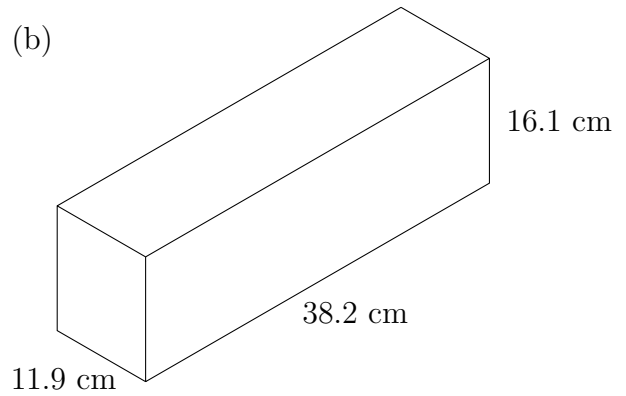


1. Work out the volume of each cuboid.

Give your answer correct to the nearest centimetre cubed.



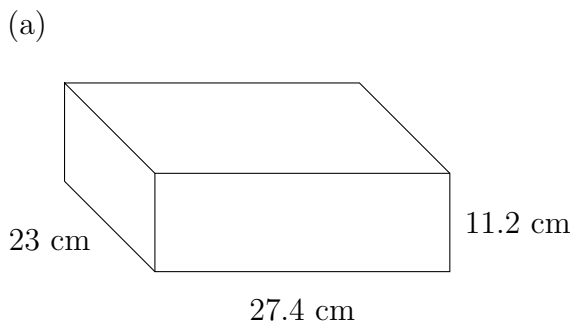
.....  $cm^3$



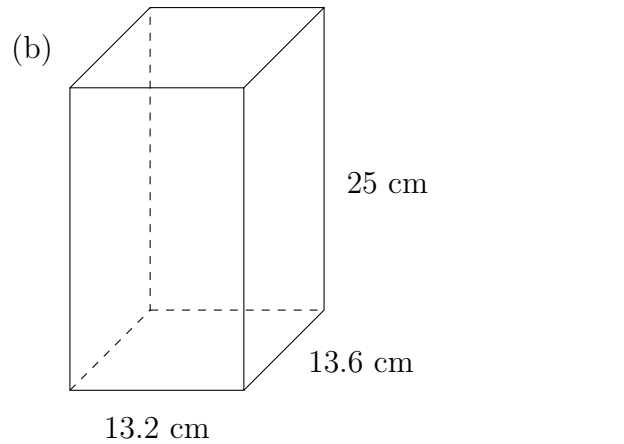
.....  $cm^3$

2. Work out the volume of each cuboid.

Give your answer correct to the nearest 10  $cm^3$



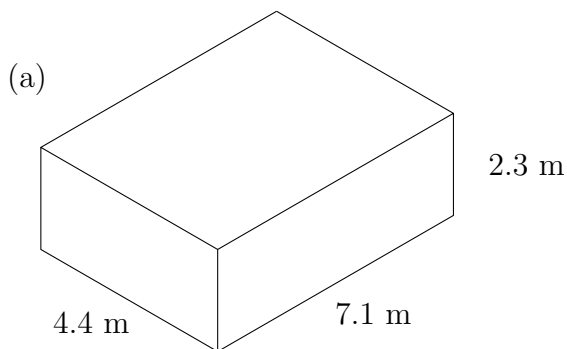
.....  $cm^3$



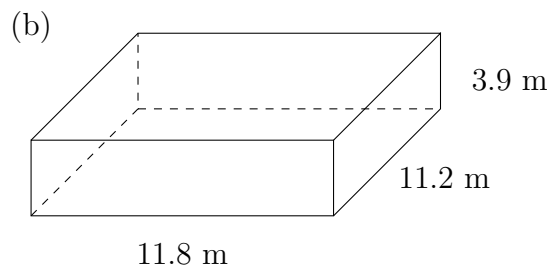
.....  $cm^3$

3. Work out the volume of each cuboid.

Give your answer correct to 1 decimal place.



.....  $m^3$



.....  $m^3$

Answers 1a) 186    b) 7319    2a) 7060    b) 4490    3a) 71.9    b) 515.4