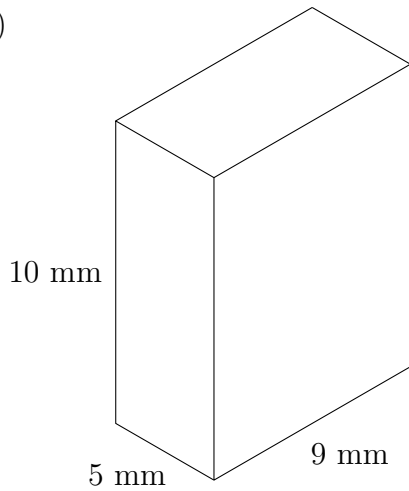


1. Each diagram shows a cuboid.

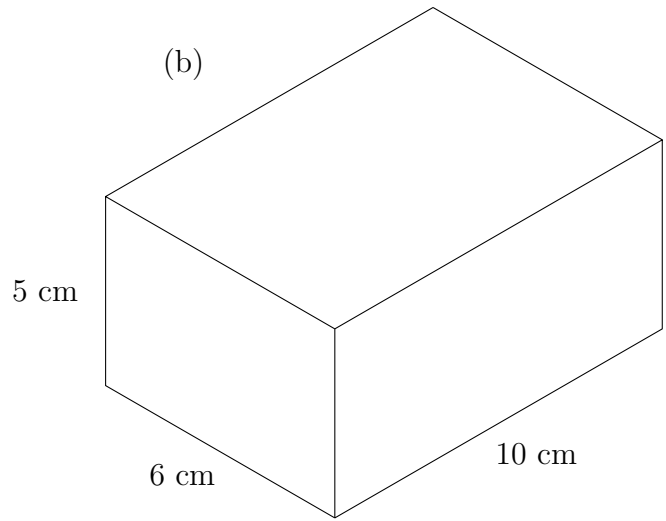
Work out the volume of each cuboid.

(a)



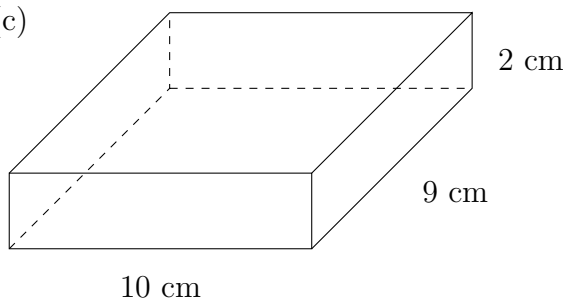
..... mm^3

(b)



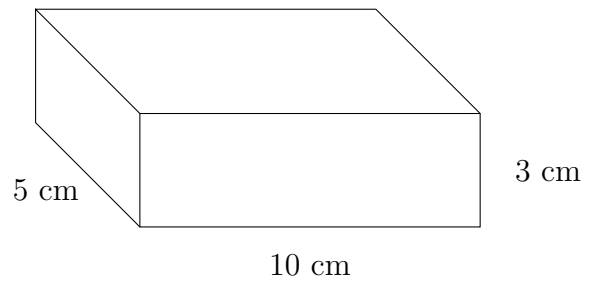
..... cm^3

(c)



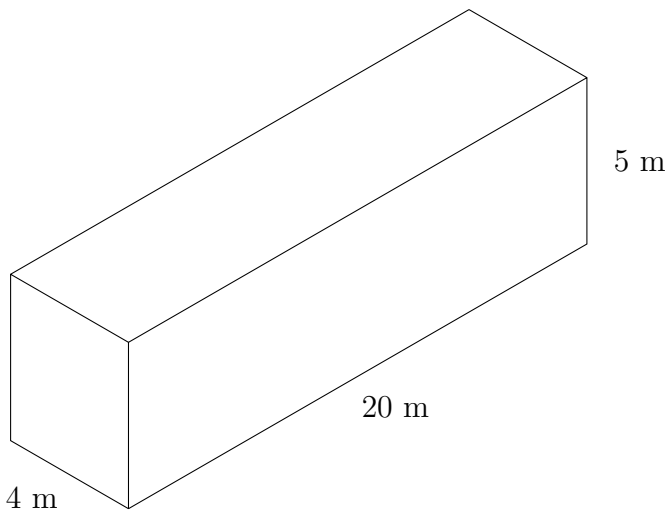
..... cm^3

(d)



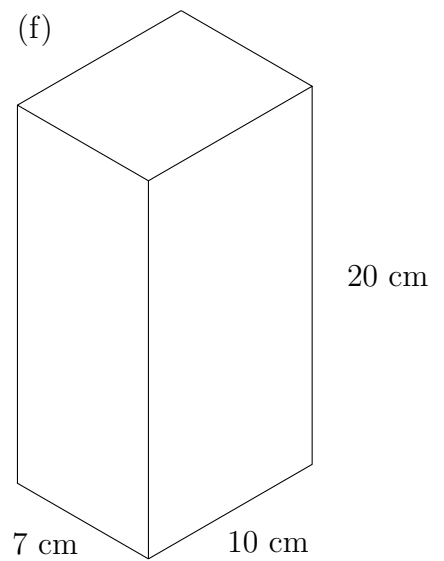
..... cm^3

(e)



..... m^3

(f)



..... cm^3

Answer 1a) 450 b) 300 c) 180 d) 150 e) 400 f) 1400