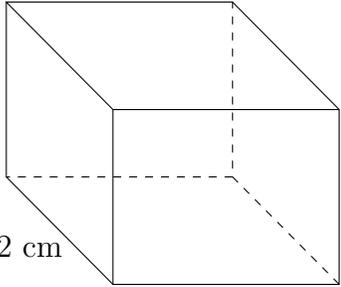
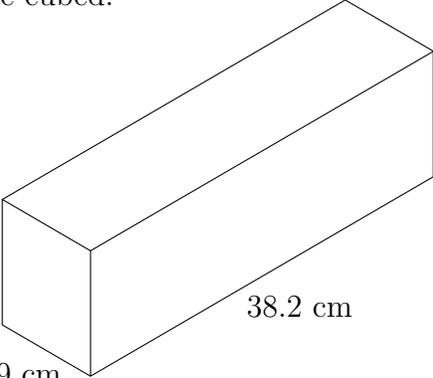
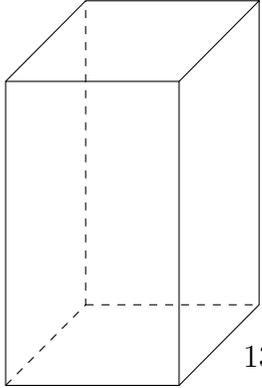


1. Work out the volume of each cuboid.

Give your answer correct to the nearest centimetre cubed.

(a)  cm³

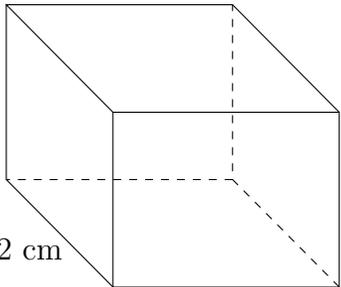
(b)  cm³

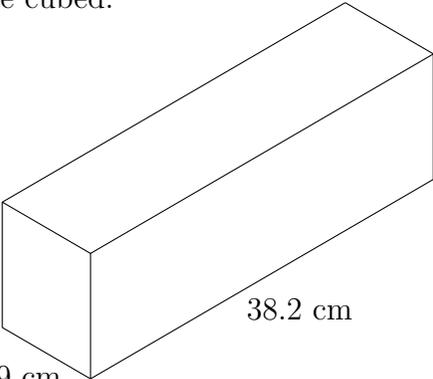
(c)  cm³

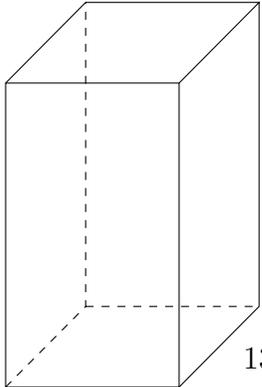
shapeSkillsYC (2) Answers 1a) 186 b) 7319 2a) 515.4 b) 7058.2 c) 71.9

1. Work out the volume of each cuboid.

Give your answer correct to the nearest centimetre cubed.

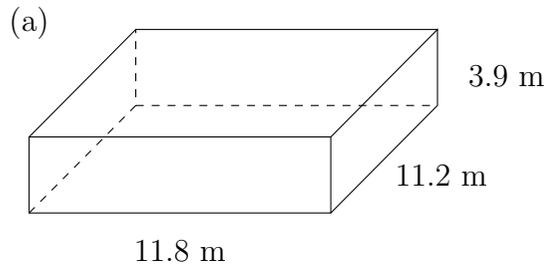
(a)  cm³

(b)  cm³

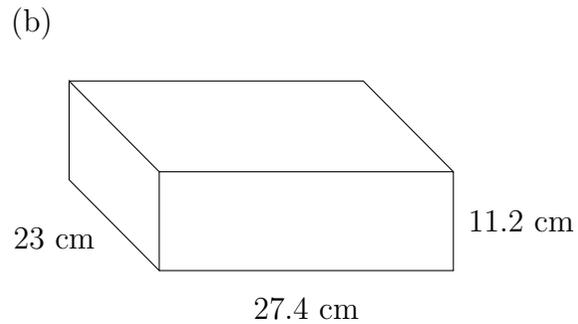
(c)  cm³

2. Work out the volume of each cuboid.

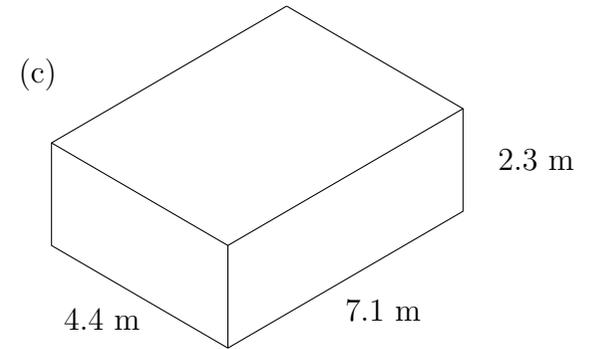
Give your answer correct to 1 decimal place.



..... cm³



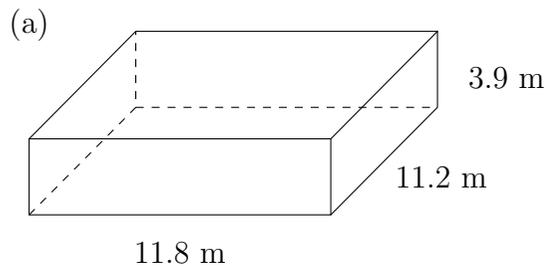
..... cm³



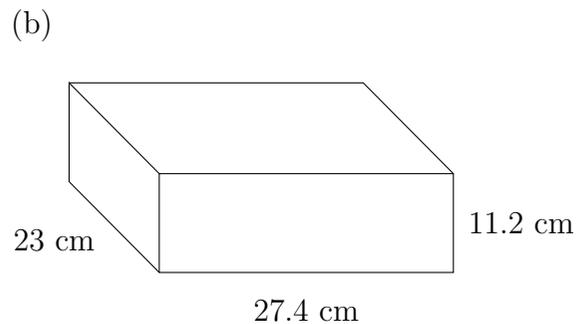
..... m³

2. Work out the volume of each cuboid.

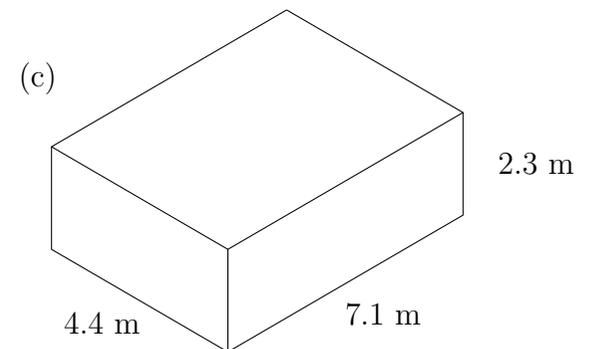
Give your answer correct to 1 decimal place.



..... cm³



..... cm³



..... m³