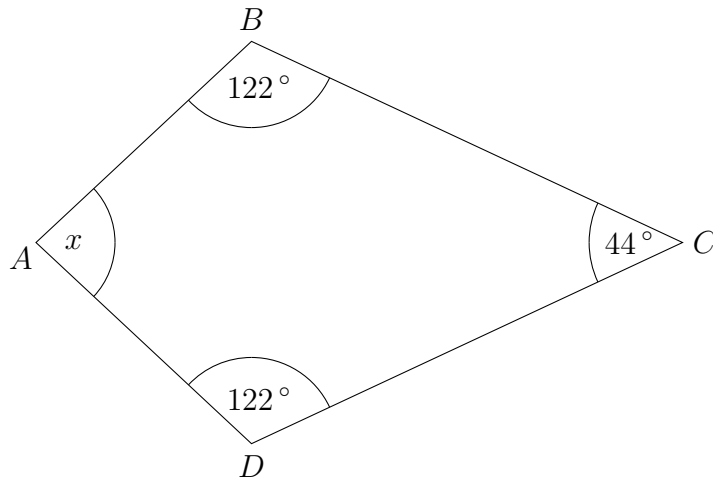


1.



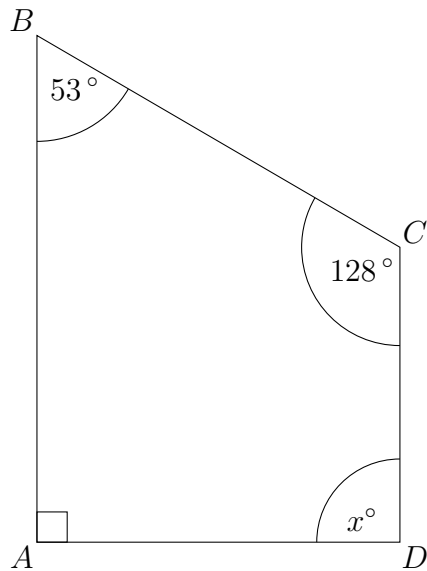
(i) Work out the size of the angle marked x.

..... $^\circ$

(ii) Give a reason for your answer

.....
.....

2.



(i) Work out the value of x.

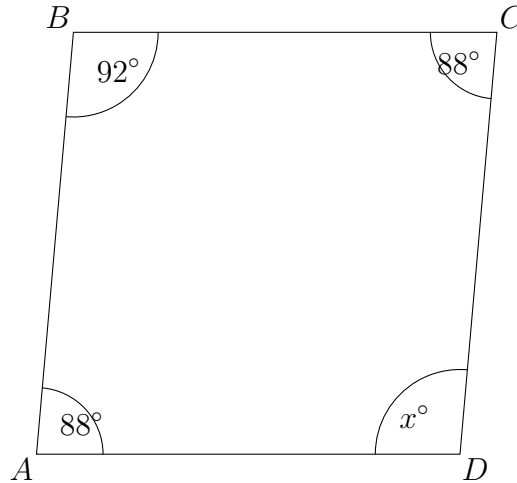
$x =$

(ii) Give a reason for your answer

.....
.....

Please turn over for more questions and the answers.

3. ABCD is a parallelogram.



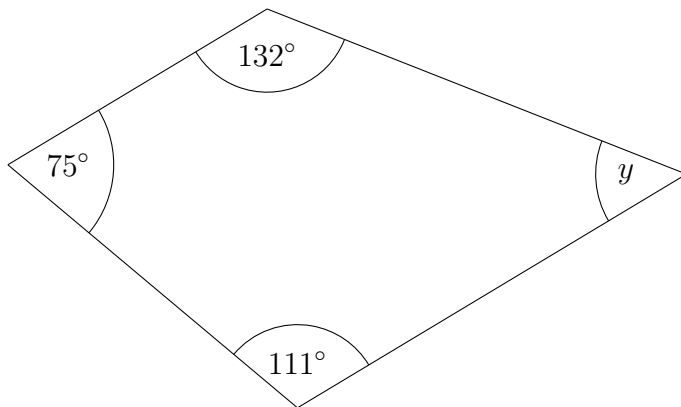
(i) Work out the value of x.

$x = \dots\dots\dots$

(ii) Give a reason for your answer

.....
.....

4.



(i) Work out the size of the angle marked y.

$\dots\dots\dots^\circ$

(ii) Give a reason for your answer

.....
.....

Answers 1i) 72, 2i) 89, 3i) 92, 4i) 42 ii) angles ... quadrilateral ... 360°