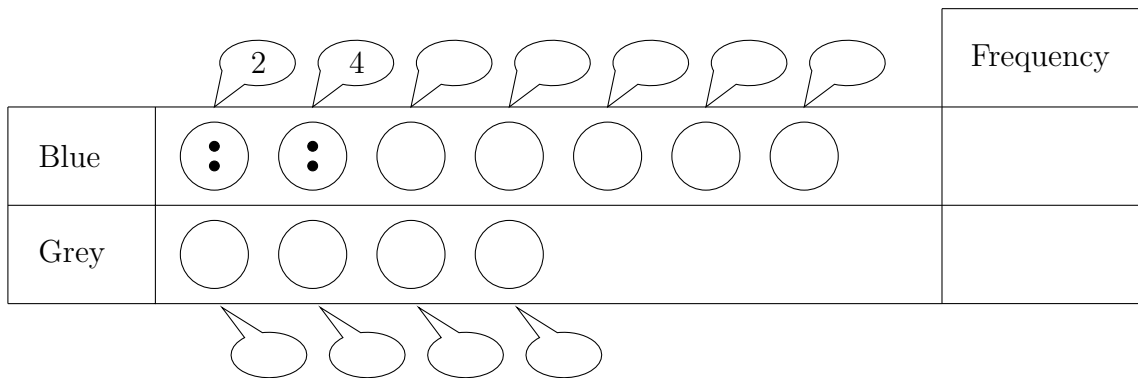


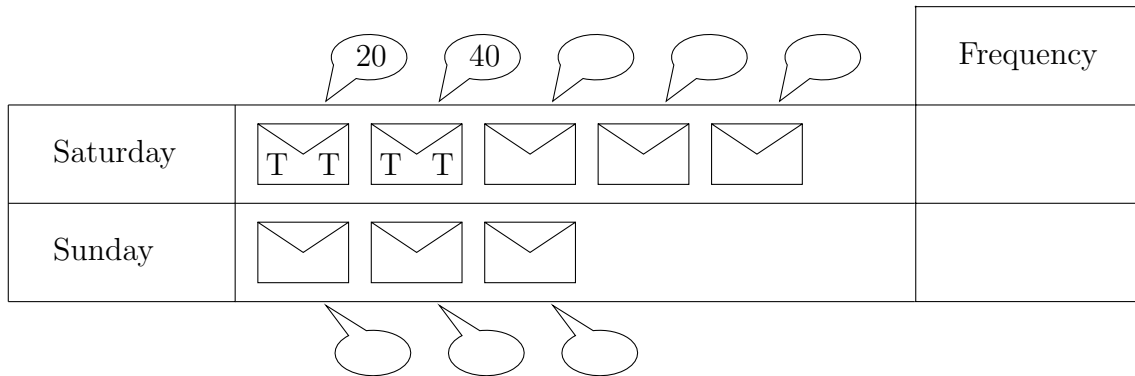
1. Complete the frequency table using the pictogram. **{Hint** frequency means “number of”**}**  
 You may complete the teacher’s example.

Key  represents 2 t-shirts



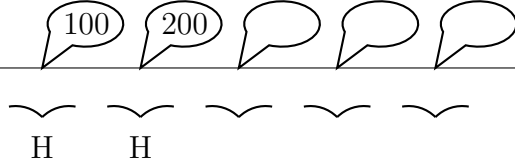
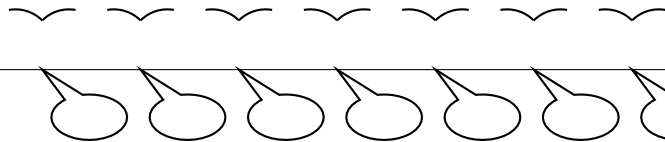
2. Complete the frequency table using the pictogram. **{Hint** frequency means “number of”  
 You may complete the teacher’s example.

Key  represents 20 SMS messages

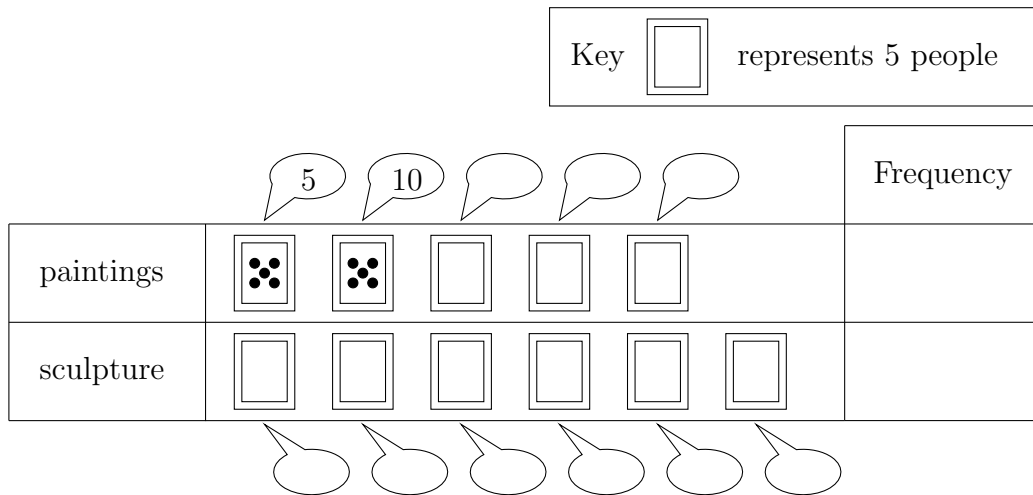


3. Complete the frequency table using the pictogram. {**Hint** frequency means “number of”}  
 You may complete the teacher’s example.

Key  represents 100 birds

		Frequency
Black-headed gull		
Herring gull		

4. Complete the frequency table using the pictogram. **{Hint** frequency means “number of”**}**  
 You may complete the teacher’s example.



## Answers

1. **Blue: 14**  
**Grey: 8**
2. **Saturday: 100**  
**Sunday: 60**
3. **Black-headed gull: 500**  
**Herring gull: 700**
4. **paintings: 25**  
**sculpture: 30**