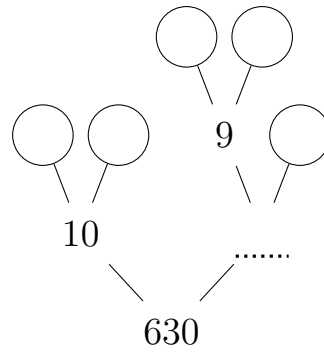


1. (i) Complete this prime factor tree.



- (ii) Write 630 as a product of its prime factors.

1.

2. There are some apples and bananas in a bag.

The total number of apples and bananas is 63

The ratio of the number of apples to the number of bananas is 2 : 5

Work out the number of bananas in the bag.

2.

3. Karim and Lee share some money in the ratio 1 : 3

Lee gets £120

Work out how much Karim should have.

£